



# Storage Bed Instruction Manual

Before assembling or using this product,  
please read the instruction manual.

## Before first use

Please read and follow all instructions in the Instruction Manual, even if you are familiar with the product or similar products. Additionally, keep the Instruction Manual handy for future reference.

### Important Safeguards

The following basic safety precautions should be followed:

#### Warning

Never allow children near the bed when opening and closing it to prevent accidents.

Specifically, **DO NOT** allow children to:

- Sit inside the storage bed while it is open;
- Hang from the strap that is used to open the bed
- Climb on top of the mattress while the storage bed is open. Failure to heed this warning could result in serious injury, suffocation, and even death.

**Failure to heed this warning could result in serious injury, suffocation, and even death.**

- Do not open and close the storage bed by pulling on the straps alone. Always open and close the storage bed by placing one hand on the frame and one hand on the straps. Use both hands to open the storage bed. Failure to heed this warning could result in serious injury to fingers and hands.
- Always be careful not to place hands near or under hinges when opening and closing the bed. Failure to heed this warning could result in serious injury to fingers and hands.
- Do not stand, jump or sit on the slats. Failure to heed this warning could result in serious injury.
- Do not open the storage bed when there is no mattress on top of it.
- Never move the bedframe while the storage portion is open.
- Do not open or close the storage bed multiple times per day.
- Do not use the product if it is damaged or showing signs of malfunction.







# Lit de rangement

# Manuel d'instructions

Avant d'assembler ou d'utiliser ce produit,  
veuillez lire le manuel d'instructions.

## Avant la première utilisation

Veillez lire et suivre toutes les instructions contenues dans ce manuel même si vous êtes familiers avec le produit ou des produits similaires. Assurez-vous de conserver ce manuel à portée de main pour vous y référer dans le futur.

### Mises en garde importantes

Les mesures de sécurité de base suivantes doivent être respectées :

#### Attention :

Ne laissez jamais les enfants s'approcher du lit lors de l'ouverture et de la fermeture afin d'éviter les accidents.

Plus spécifiquement, **NE PERMETTEZ JAMAIS** aux enfants de :

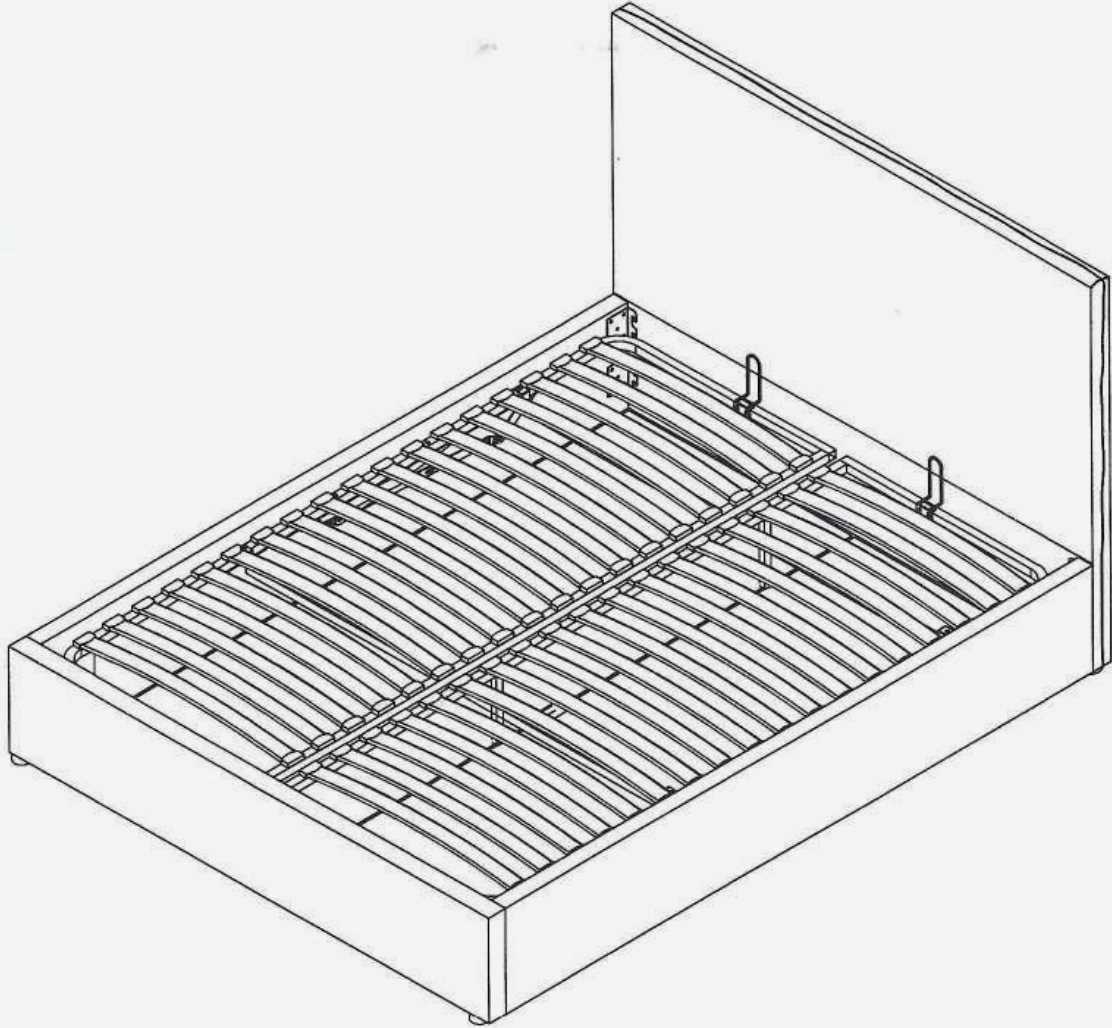
- S'asseoir à l'intérieur du compartiment de rangement lorsqu'il est ouvert ;
- S'accrocher à la courroie utilisée pour ouvrir le lit ;
- Monter sur le matelas lorsque le lit est ouvert.

**Le non-respect de cet avertissement pourrait entraîner des blessures graves, la suffocation et même la mort.**

- N'ouvrez pas et ne fermez pas le lit coffre en tirant uniquement sur les sangles. Ouvrez et fermez toujours le lit de rangement en plaçant une main sur le cadre et une main sur les sangles. Utilisez les deux mains pour ouvrir le lit coffre. Le non-respect de cette consigne peut entraîner des blessures graves aux doigts et aux mains.
- Assurez-vous de ne jamais placer vos mains en-dessous ou près des charnières lorsque vous ouvrez et fermez le lit. Le non-respect de cet avertissement pourrait entraîner des blessures graves aux doigts et aux mains.
- Ne restez pas debout, ne sautez pas et ne vous asseyez pas sur les lattes. Le non-respect de cet avertissement pourrait entraîner des blessures graves.
- N'ouvrez pas le compartiment de rangement lorsqu'il n'y a pas de matelas dessus.
- Ne jamais déplacer le lit lorsque le compartiment de rangement est ouvert.
- Ne pas ouvrir et fermer le compartiment de rangement plusieurs fois par jour.
- N'utilisez pas le produit s'il est endommagé ou s'il présente des signes de mauvais fonctionnement.





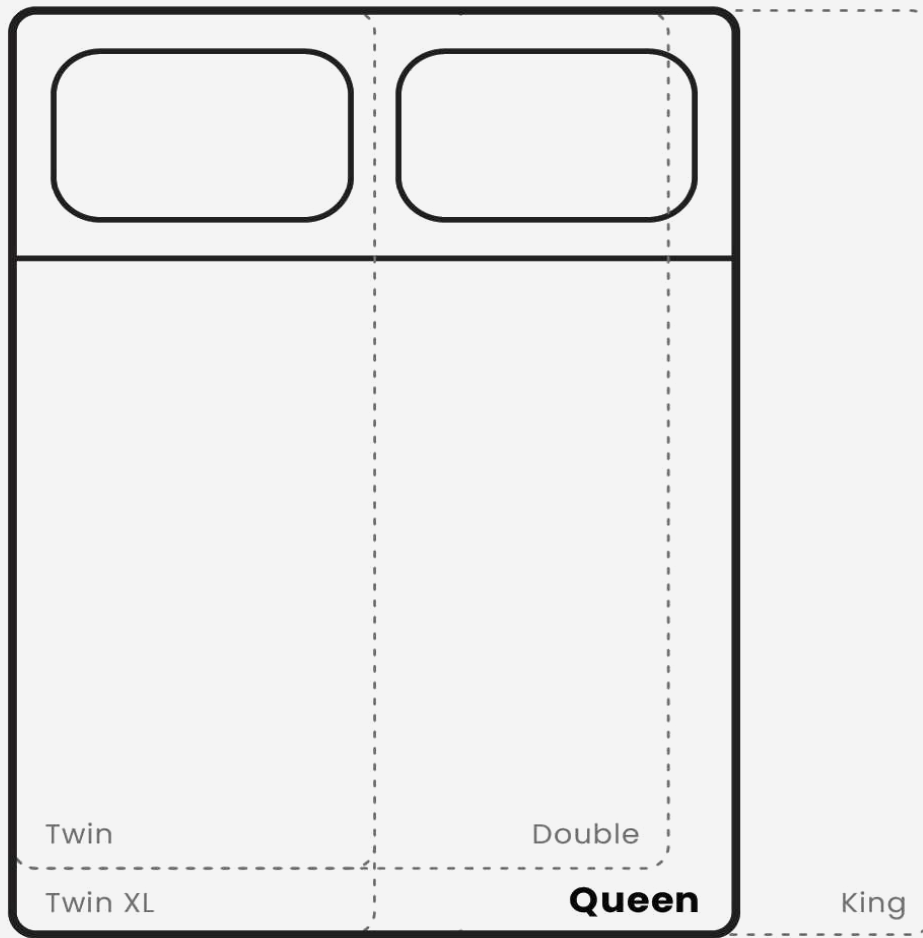


# Bed Assembly Storage

 Style In Form

## DESCRIPTION

This version of our popular Faye bed features a shorter headboard but all the same curves. Wrapped in a mesmerizing designer-inspired taupe fabric, Faye will effortlessly steal the show in your space. Its functionality is matched by its sheer beauty. The gently curved headboard not only adds a touch of on-trend style, but it also elevates the overall design to new heights. Trust us, Faye is a dream come true.



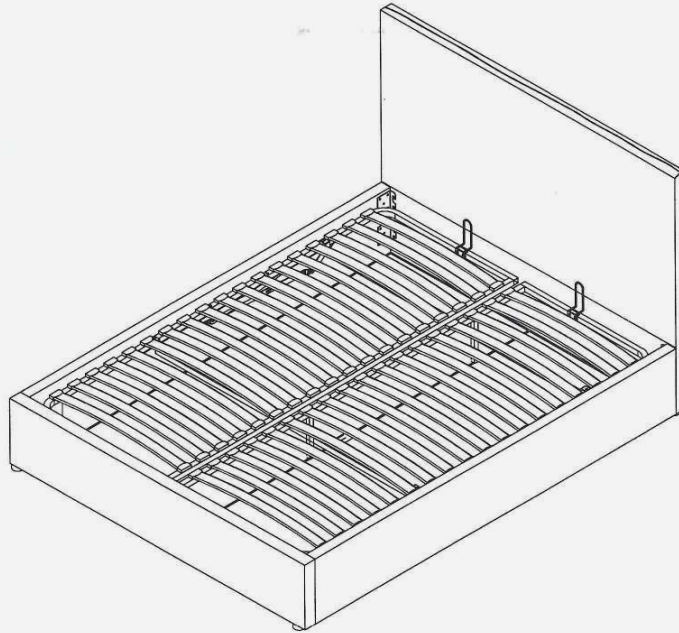
## Before First Use

Please read and follow all instructions in the Instruction Manual, even if you are familiar with the product or similar products. Additionally, keep the Instruction Manual handy for future reference.

## Assembly Instructions & Safety Guide Video

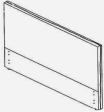



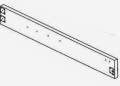

















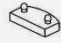

Our beds are designed with simplicity and ease of use in mind, ensuring a straightforward assembly process. By scanning the provided QR code, you'll gain access to our 'Style In Form' bed assembly instruction video. With clear, step-by-step guidance, putting together your bed becomes a breeze.



NAME

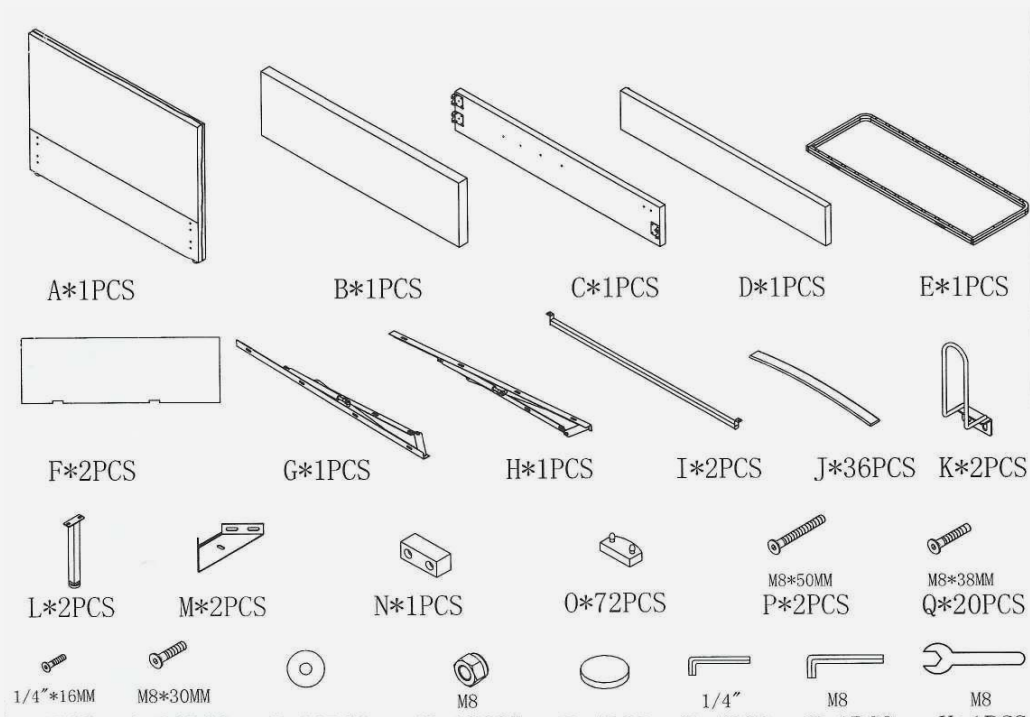
QUANTITY

A	Headboard		1pc	E	Metal Slat Frame		1pc
B	Footboard		1pc	F	Center Support Panels		2pcs
C	Left Side Panel		1pc	G	Left Lifting Arm		1pc
D	Right Side Pane		1pc	H	Right Lifting Arm		1pc

NAME		QUANTITY	
I	Hydraulic Support Mechanism	 2pcs	P M8 x 50mm Screws  2pcs
J	Slats	 36pcs	Q M8 x 38mm Screws  20pcs
K	Slat Holders / Brackets	 2pcs	R 1/4" x 16mm  4pcs
L	Support Legs	 2pcs	S M8 x 30mm  20pcs
M	Metal Brackets	 2pcs	T M8 Washer  20pcs
N	Metal Mounting Bracket	 1pc	U M8 Lock Nut  12pcs
O	Wooden Dowels	 72pcs	V Plastic Cap  4pcs

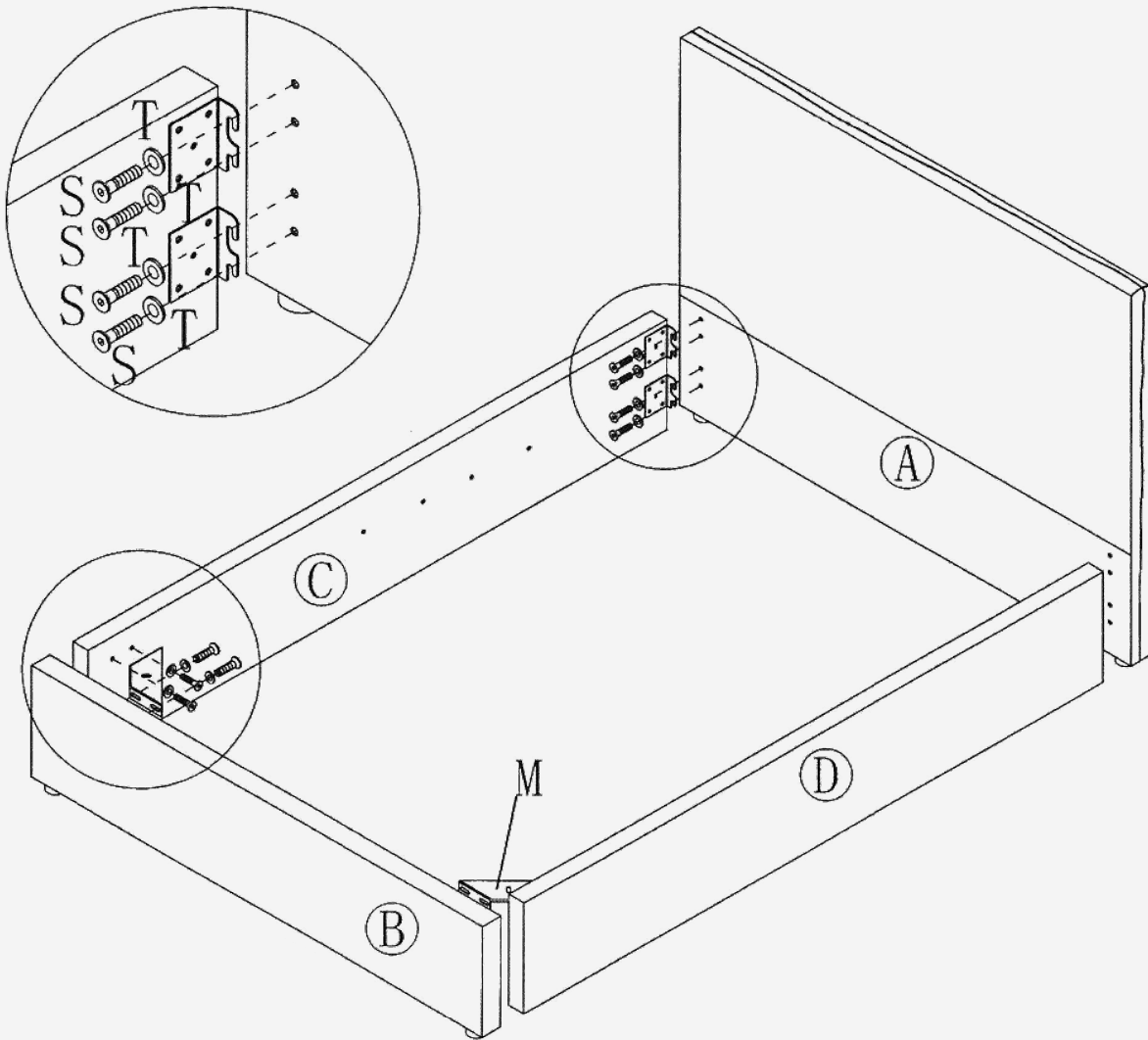


	NAME		QUANTITY
w	1/4" Allen Key		1 pcs
x	M8 Allen Key		1 pcs
y	M8 Wrench		1 pcs



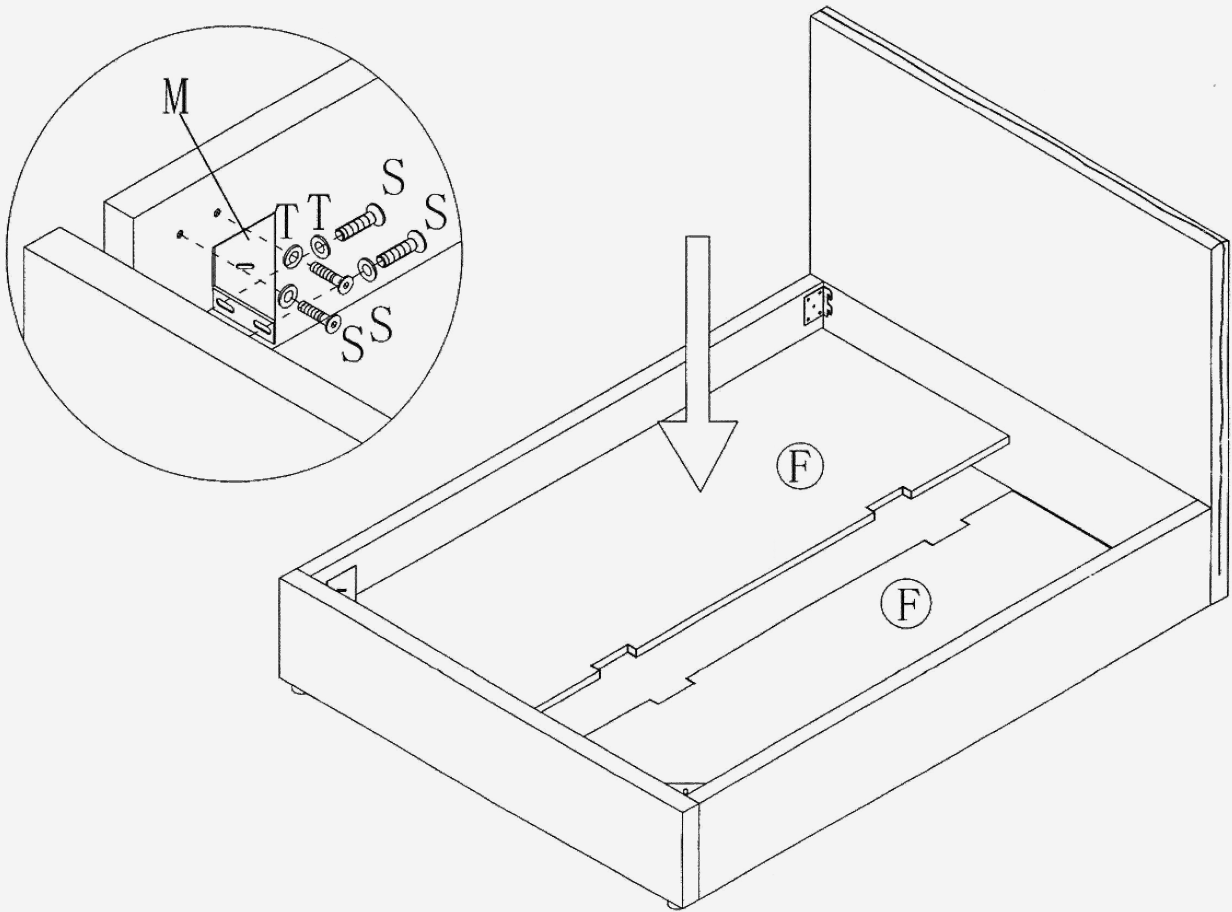
**Step 1**

Please attach the side panels (C & D) to the headboard (A) and footboard (B). Loosen the hexagonal bolts on the footboard first to ensure that the hooks on the side rails can be properly attached. Once the side rails are in place, tighten the hexagonal bolts using a spanner.



Step 2

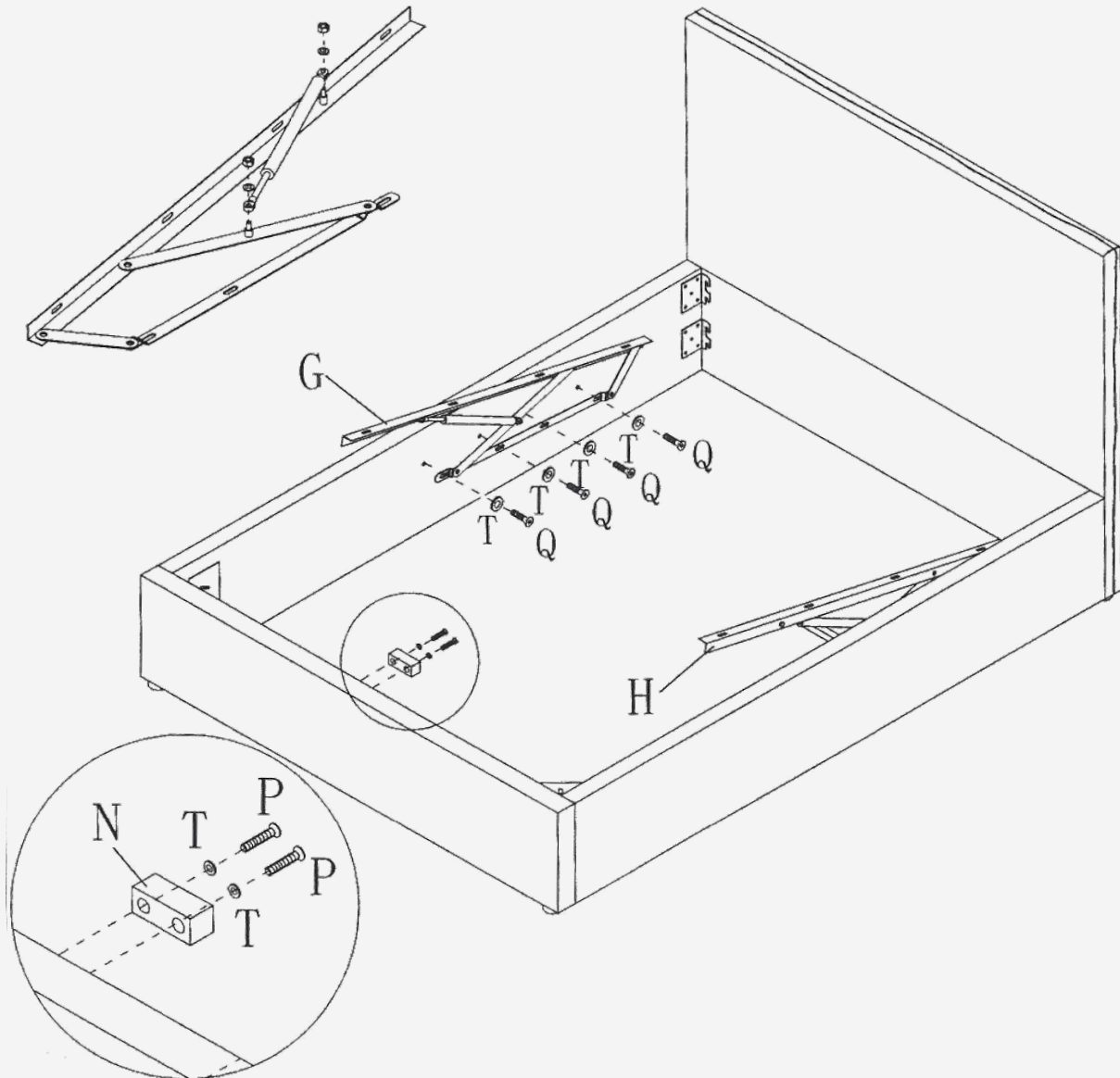
Insert the center support panels (F) inside the bed frame. Ensure they fit snugly and align with the side rails.





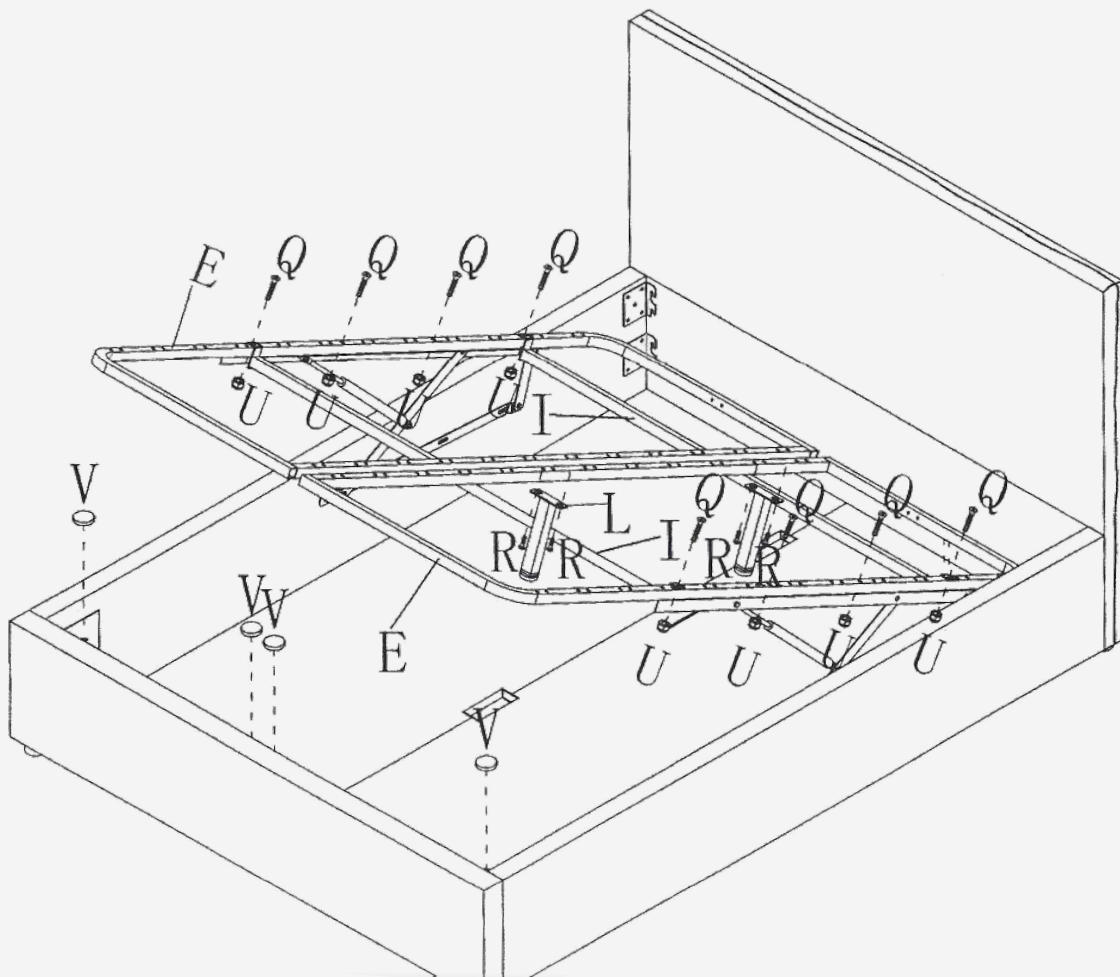
**Step 3**

Attach the lifting arms (**G & H**) to the inner sides of the frame using screws (**Q & T**). Make sure both lifting arms are securely fastened and aligned.



**Step 4**

Secure the hydraulic support mechanism (I) to the lifting arms (G & H) and attach the mounting brackets (N) to the frame using screws (P).

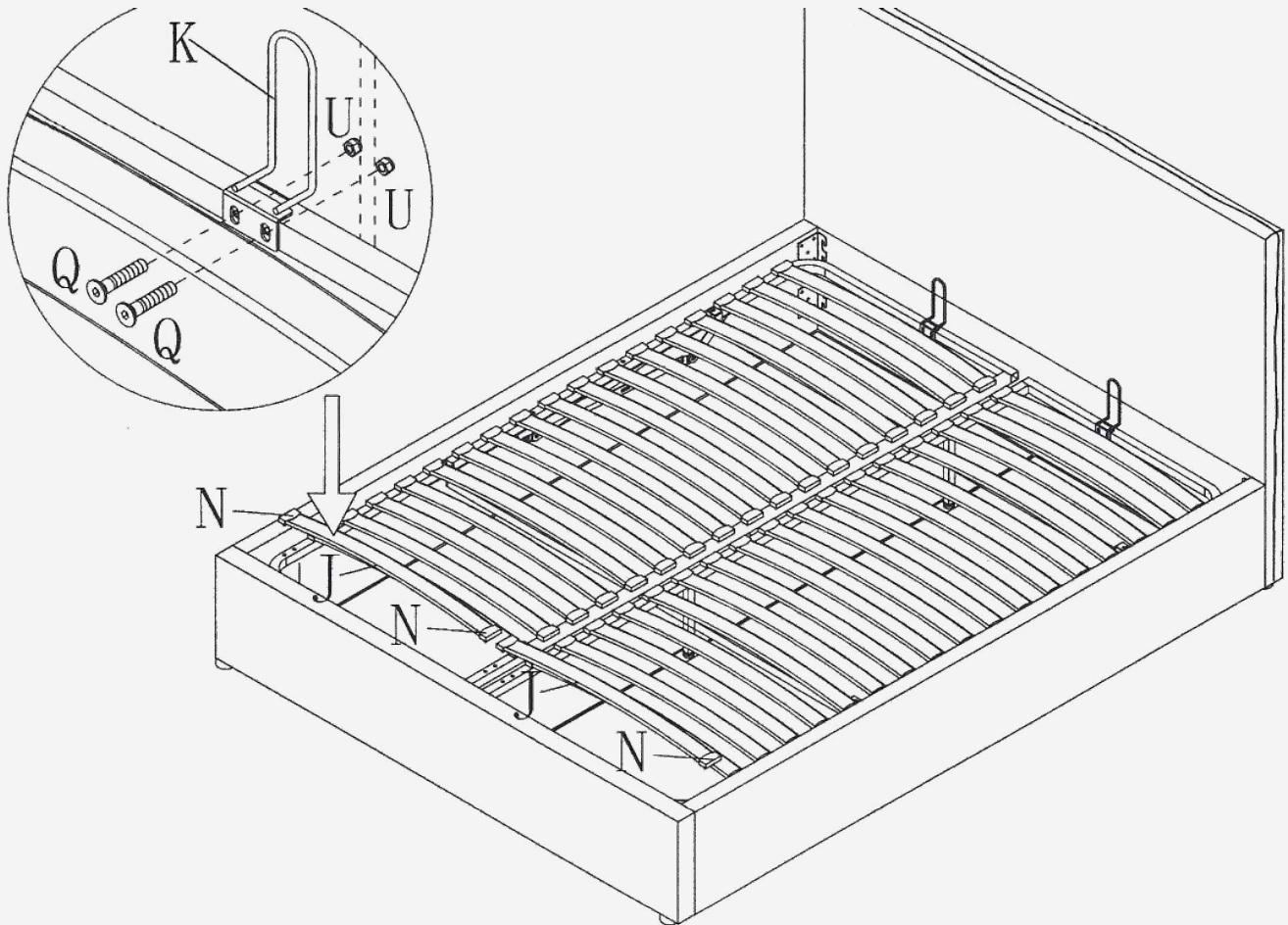


**Step 5**

Place the metal slat frame (E) onto the lifting mechanism. Secure the frame with screws (Q).

Attach the slats (J) onto the metal frame, securing each slat using screws (Q) at the center and side rails.

Ensure all slats are evenly spaced.





**Step 5**

Double-check all screws and bolts, ensuring they are tightened properly.  
Test the lift mechanism by gently lifting and lowering the bed frame.

